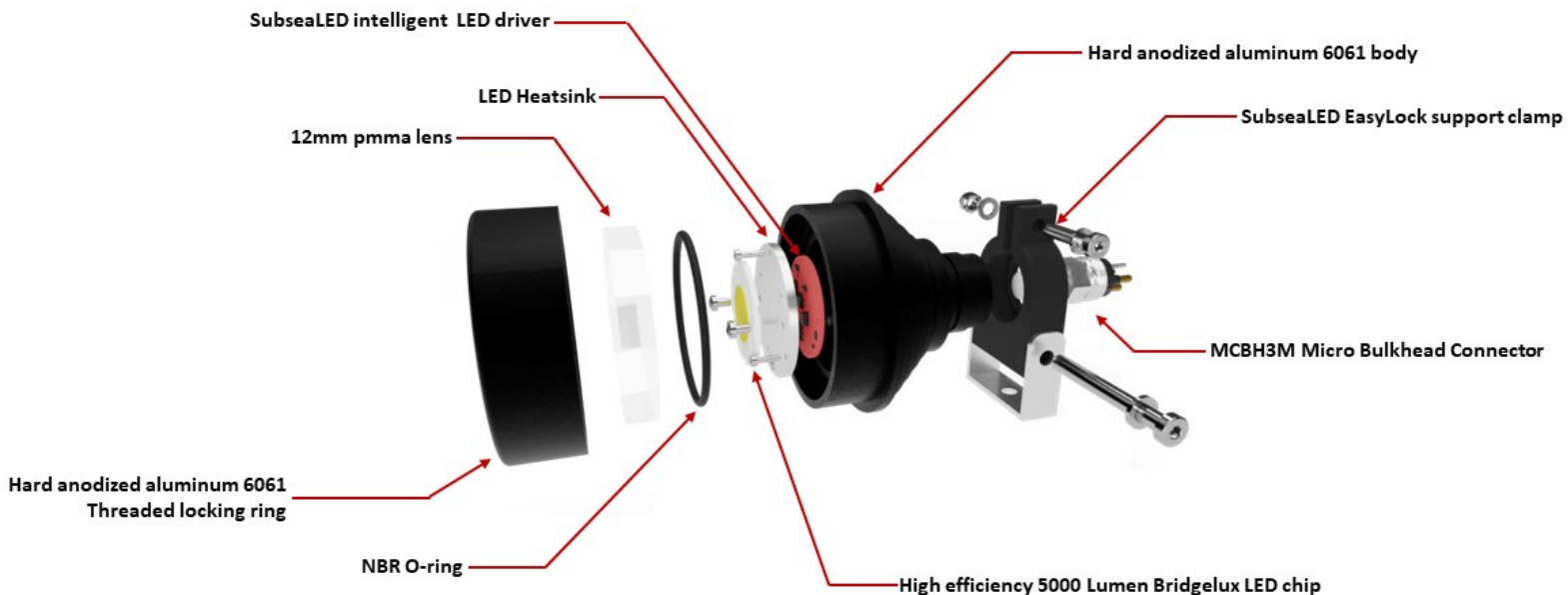


PRODUCT FEATURES



- High Efficiency BRIDGELUX Led COB
- Color Rendering Index > 90
- Equipped with our “State Of Art” Led driver
- Wide input voltage range
- Flicker free dynamic intensity control
- Analogue and serial intensity control options
- Wide 120° diagonal beam angle
- Various LED colour temperatures available
- 3000m depth rating
- Compact and rugged design
- Supplied with our “EasyLock” mounting bracket
- Two year manufacturers warranty (extended options available)
- Fully customizable on client request

Applications: ROV, AUV, Diver and general underwater use



PART NUMBER

Format: LED-5000-XXX-XXX

Type	Typical Luminous Flux	Max Input Voltage	Control Type
LED	5000: 5000 Lumen (CRI 80)	048: 48Vdc	005: 0-5 Vdc
			010: 0-10 Vdc
			024: 0-24 Vdc
			PWM: Servo PWM 1100uS – 1900uS
			485: Half Duplex RS-485 (Custom string)
			ONF: Simple ON-OFF
			FAL: Seaeeye Falcon compatible
		2WI: Power and dimming over 2 Wire (0% at 12Vdc – 100% at 24Vdc)	
110: 110Vac	TRC: Triac Dimming (Phase cut)		

SPECIFICATIONS

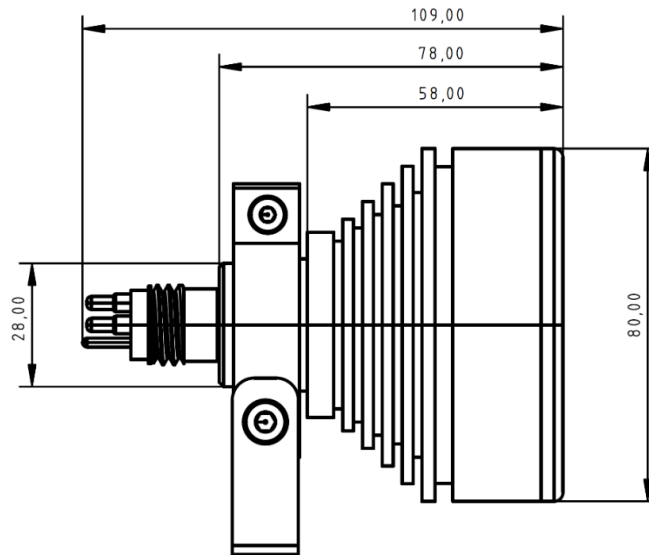
Electrical	Input power	LED-5000-048-XXX	2200mA @ 18Vdc min. 800mA @ 48Vdc max.
		LED-5000-110-TRC	400mA @ 110Vac max.
Working condition	Depth Rating	3000m	
	Storage Temperature	-20°C to +70°C	
	Operating Temperature	-10°C to +40°C	
	Housing Material	Hard anodized 6061 aluminium	
Optical	Window	PMMA	
	CRI (color rendering index)	80 (90 available on request)	
	Beam Angle	120 Degrees	
	Typical Colour Temperature	5000 Kelvin (other options available)	
	Lumen Maintenance	60,000 hours	
Mechanical	Models	All 5000 Series	
	Dimensions	80mm (front-end), 28mm (body) (d) x 78mm (l) (excluding connector)	
	Weight	450gr in air (210gr in water)	
	Thermal Cut-off *	Yes	
	Typical Beam Angle	120°	
	Standard Connector	MCBH3M (other connectors available on request)	

Specifications subject to change without notice.



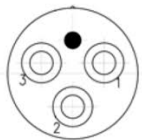
* WARNING: Unit surface may become very hot to the touch during operation. Do not operate the unit in Air for more than 5 minutes.

OVERALL DIMENSIONS



TYPICAL PINOUT

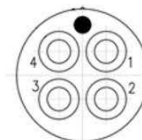
MCBH-3M



DC version (48Vdc Max)
 Pin 1 = 0V
 Pin 2 = Power
 Pin3 = Analog Control or PWM

AC version (90-110Vac)
 Pin 1 = Earth
 Pin 2 = Neutral
 Pin3 = Line

MCBH-4M



Pin 1 = 0V
 Pin 2 = Power
 Pin3 = RS-485- A
 Pin4 = RS-485- B